



POMPA MAPCATO

**image displayed above as reference may differ from actual product requested*

MITRA WATER

CV. Mitra Usaha Mandiri

Water

Treatment

Specialist.

www.supplierfilterair.com

Office :

JL. Pucang Anom no.22,
Pucang Sewu, Gubeng, Surabaya
60282

Phone :

031-9944-9590

POMPA MAPCATO BLC70



MITRA WATER

CV. Mitra Usaha Mandiri

Water

Treatment

Specialist.

www.supplierfilterair.com

Office :

JL. Pucang Anom no.22,
Pucang Sewu, Gubeng, Surabaya
60282

Phone :

031-9944-9590

Application

1. transporting clean, non-flammable, not-explosive, non-aggressively corrosive liquids without solid particles or fibre.
2. Pure water or drinking water bottling. (strictly conform to Sanitary Standard for Drinking Water)
3. Air-condition or cooling system, industrial washing and other special applications.

Features:

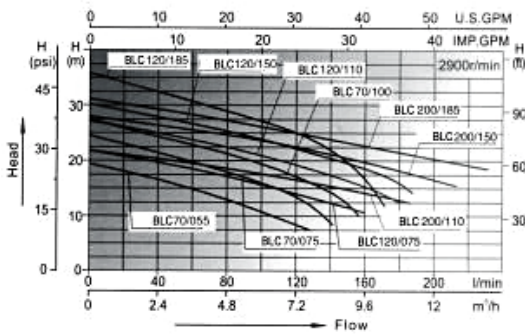
1. Electric pump is made of stainless steel material and is produced through advanced stamping & welding technology.
2. Standard low noise motor with high-quality mechanical seal.
3. Electric pump is exquisite design, beautiful appearance, high lift, stable operation, high efficiency, durable and other characteristics.
4. Single phase motor has over heat protector (three phase motor can be install with one upon special request).
5. Insulation class:F
6. Protection class: IP55.

Working conditiona

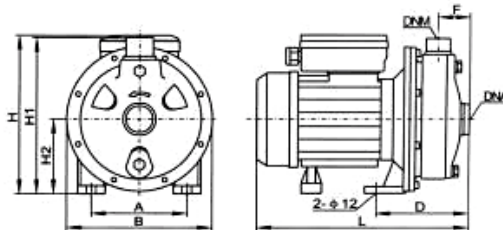
Medium temperature: 0~+70°C
 Ambient temperature: ≤50°C
 Maximum working pressure: 0.8MPa



Performance curves



Shape and size of installation



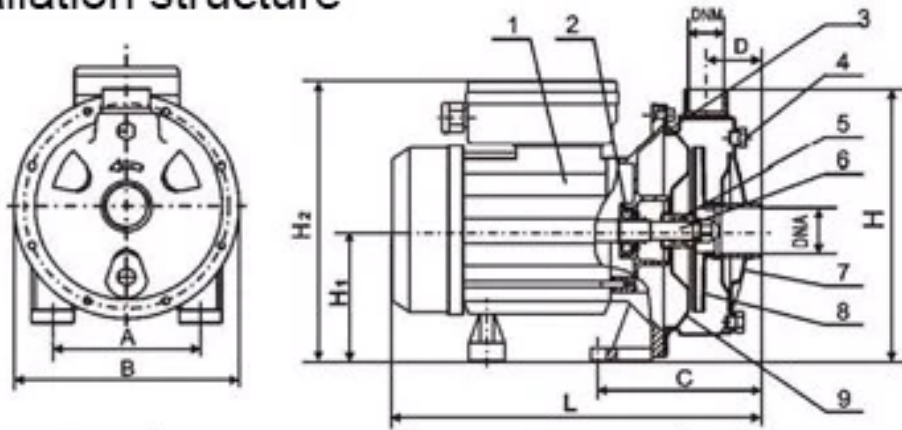
Technical parameter list

Model	Power(p.) KW	Current (Amps)		Rated head (m)	Rated flow (m³/h)	Shape size(mm)							DNA	DNM	Weight (kg)	Packing size (mm)	(Qty/20')
		220V/50Hz	380V/50HZ			A	B	D	F	L	H	H1					
BLC70/055	0.55	4.2	1.4	14	4.2	140	213	138	49	315	237	232	110	G1½	9.4	360 × 245 × 280	1140
BLC70/075	0.75	5.2	1.8	19													
BLC70/100	1.0	6.2	2.4	22													
BLC 120/075	0.75	5.2	1.8	14	7.2	150	234	140	46	373	255	240	120	G1	15.6	285 × 245 × 280	1070
BLC 120/110	1.1	6.8	2.6	17													
BLC 120/150	1.5	9.6	3.5	22													
BLC 120/185	1.85	14	5.2	25	9	140	213	138	49	337	251	222	110	G1½	17	420 × 260 × 295	896
BLC 200/110	1.1	6.8	2.6	15													
BLC 200/150	1.5	9.6	3.5	20													
BLC 200/185	1.85	14	5.2	21	12	140	213	138	49	366	255	222	110	G1½	19.1	420 × 260 × 295	896
BLC 200/185	1.85	14	5.2	21													

MITRA WATER
 CV. Mitra Usaha Mandiri
 Water
 Treatment
 Specialist.
 www.supplierfilterair.com

Office :
 Jl. Pucang Anom no.22,
 Pucang Sewu, Gubeng, Surabaya
 60282
Phone :
 031-9944-9590

Installation structure

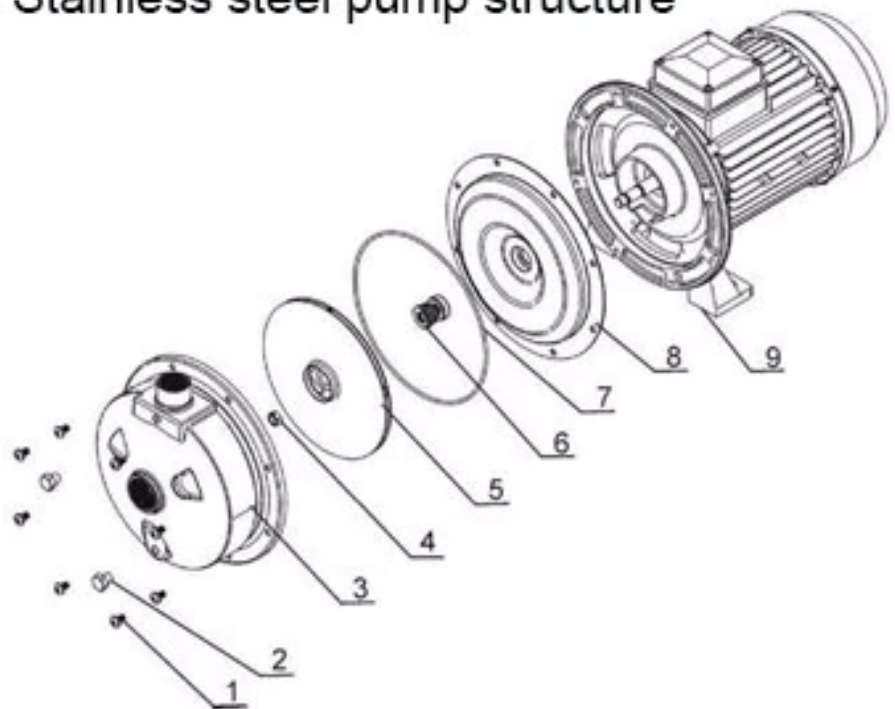


- 1. motor
- 2. bearing
- 3. O ring
- 4. screw plug
- 5. mechanical seal

- 6. pump shaft
- 7. pump casing
- 8. impeller
- 9. pump cover

BLC Stainless steel pump structure

NO.	Name
1	bolt
2	screw plug
3	pump casing
4	nut
5	impeller
6	mechanical seal
7	o ring
8	front glant
9	motor



MITRA WATER

CV. Mitra Usaha Mandiri

*Water
Treatment
Specialist.*

www.supplierfilterair.com

Office :

JL. Pucang Anom no.22,
Pucang Sewu, Gubeng, Surabaya
60282

Phone :

031-9944-9590